



**BP 249 Z. I.  
44 158 ANCENIS CEDEX FRANCE  
TEL : 02 40 09 10 11**

**YOUR DEALER**

**REF : 547313 EN (01/00)**

**PLATFORMS  
120 AE**

## **SPECIFICATIONS** (up to machine N° 500292 excepting N° 500278)

---

|                                       |                           |
|---------------------------------------|---------------------------|
| - Use                                 | Interior and exterior     |
| - capacity                            | 265 Kg including 2 people |
| - Control system                      | Electro - hydraulic       |
| - Travel speed of the access platform |                           |
| . Forward                             | 0 à 6 km/h                |
| . Reverse                             | 0 à 6 km/h                |
| - Working height                      | 12200 mm                  |
| - Plateform height                    | 10200 mm                  |
| - Offset maxi                         | 4900 mm                   |
| - Access platform weight              |                           |
| . Unladen                             | 2300 Kg                   |
| . Rated load                          | 2565 Kg                   |
| - Number of speed                     | 3                         |
| - Maximum slope                       | 15%                       |
| - Maximum authorized wind speed       | 45 km/h                   |
| - Admissible maximum tipping          | 5% or 3°                  |

## **FRONT AND REAR TYRES**

---

| <b>DIMENSIONS</b> | <b>PRESSURE</b> | <b>TYRE LOAD<br/>UNLADEN</b> | <b>EN CHARGE MAXI</b> |
|-------------------|-----------------|------------------------------|-----------------------|
| <b>23 x 8,50</b>  | <b>Foam</b>     | 568 Kg                       | 1700 kg               |

## **SPECIFICATIONS** (N°500278 and from machine N°500293)

---

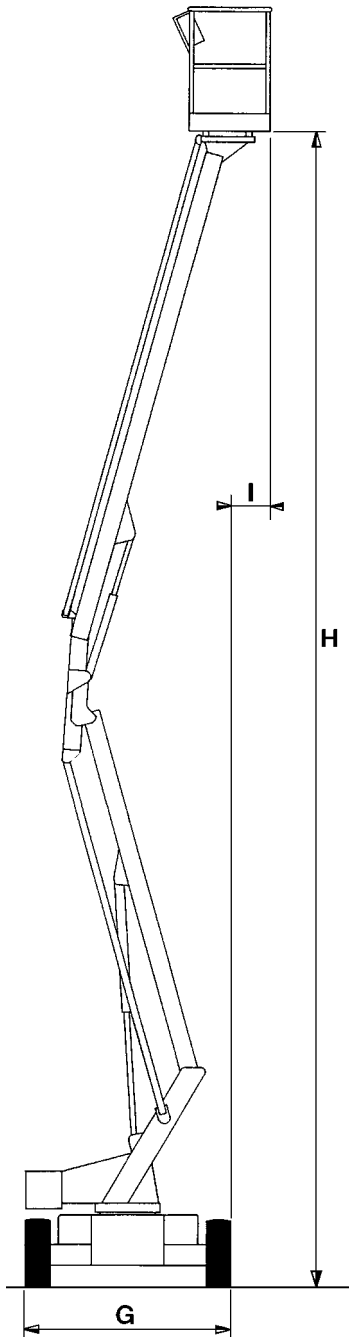
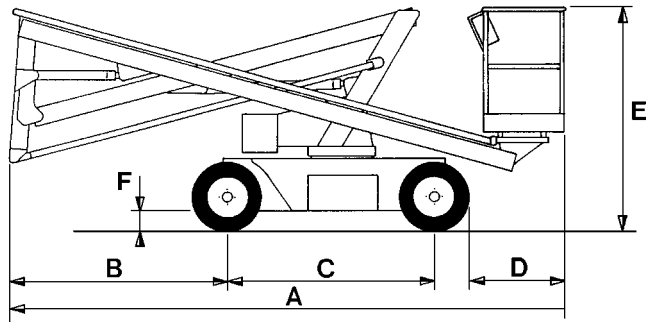
|   |                           |
|---|---------------------------|
| - Use                                     | Interior and exterior     |
| - capacity                                | 250 Kg including 2 people |
| - Weight of on-board fittings allowed:    |                           |
| . With one person in the basket           | 170 Kg                    |
| . With two persons in the basket          | 90 Kg                     |
| - Control system                          | Electro - hydraulic       |
| - Travel speed of the access platform     |                           |
| . Forward                                 | 0 à 5 km/h                |
| . Reverse                                 | 0 à 5 km/h                |
| - Working height                          | 12200 mm                  |
| - Platform height                         | 10200 mm                  |
| - Offset maxi                             | 4900 mm                   |
| - Access platform weight                  |                           |
| . Unladen                                 | 2825 Kg                   |
| . Rated load                              | 3075 Kg                   |
| - Number of speed                         | 2                         |
| - Maximum slope                           | 25%                       |
| - Maximum authorized wind speed           | 45 km/h                   |
| - Admissible maximum tipping              | 5% or 3°                  |
| - Maximum allowed horizontal manual force | 40 daN                    |
| - 1 daN = 1kg                             |                           |

## **FRONT AND REAR TYRES**

---

| DIMENSIONS   | TYRE LOAD<br>UNLADEN | UNDER MAX.LOAD |
|--------------|----------------------|----------------|
| PPS 27,10x12 | 1800 Kg              | 2500 kg        |

# DIMENSIONS



up to N°500292 excepting N°500278

|   |          |
|---|----------|
| A | 4800 mm  |
| B | 1870 mm  |
| C | 1800 mm  |
| D | 840 mm   |
| E | 1950 mm  |
| F | 185 mm   |
| G | 1750 mm  |
| H | 10200 mm |
| I | 330 mm   |

N°500278 and from N°500293

|   |          |
|---|----------|
| A | 4800 mm  |
| B | 1870 mm  |
| C | 1800 mm  |
| D | 840 mm   |
| E | 1950 mm  |
| F | 150 mm   |
| G | 1750 mm  |
| H | 10200 mm |
| I | 330 mm   |

