



Self-Propelled Telescopic Booms

S-60/S-65™

- Designed for easy delivery and fast set-up.



The Genie S-60 and S-65 are the value leaders in

Genie's newly redesigned S-60/S-65 incorporates a unique virtual pivot boom design and state of the art features. Choose the Genie S-60 boom, with 66 feet 2 inches (20.3 m) of working height, or the S-65, with an additional 5 ft (1.52 m) articulating jib boom. Customize your boom from many option packages.



S-65 Out-and-Up Articulating Jib Boom

This special option gives you an additional 5 ft (1.52 m) of horizontal reach for a total of 55 ft 3 in (16.8 m). The S-65 jib boom gives you flexibility too – 135° of working range. You not only access 75° above horizontal, but you can get to 60° below horizontal.

Powerful Gas Engine

The new GM 3.0L 80 hp (59 kw) Duel Fuel engine is stronger and more powerful, with enhanced performance in high altitude and cold weather environments. The fuel-injection system requires less service work than carburetor systems, eliminating the need for throttle linkage and choke adjustments.



Standard Features

Proportional Controls

Allow smooth operation and easy positioning.

160° Hydraulic Platform Rotator

Gives you precise placement without repositioning the boom.

Easily Accessible Components

The swing-out engine tray and easy-to-understand electrical system simplify routine maintenance.

Positive Traction Drive

Full-time positive traction system standard on 4x4 models and on 4x2 models.

Drive Enable System

Informs operator when the drive and steer functions will move opposite the controller movements.

Low-Profile Chassis Covers

Provide high visibility for the operator while unit is in stowed position.

Platform Controls

Large, simple-to-use controls for easy operation.

Transportability

The S-60 and S-65 are designed to load and unload easily from transport vehicles.

Increased Lift Speed

The capability to operate multiple functions simultaneously results in maximum lift speed. The S-60 elevates from the ground to full height in just 57 seconds.

Stiffer Mast Design

The new flat-bottom mast design is 7% stiffer when fully extended. The stiffer mast results in less platform movement for more comfortable operation.



n the industry.

Easily customized to meet your needs:

Engine Options –
Tier II Emission Compliant
GM 3.0L Dual Fuel
80 hp (59 kw)
Deutz Diesel F3L 2011F
49 hp (36 kw)
Perkins Diesel 404-22
50 hp (37 kw)

Platform Options
Standard: Steel 6 ft (1.83 m)
Optional: Steel 8 ft (2.44 m)

Drive Options
4x2 – two wheel drive
• gradeability up to 30%
4x4 – four wheel drive
• gradeability up to 50%
• gradeability is theoretical, traction-dependent

Tire Options
Rough terrain air
Rough terrain foam-filled

Terrain Tracking Active Oscillation System

This revolutionary system automatically senses the terrain and adjusts the front axle oscillation based on ground conditions. The system maximizes four point contact with the ground for improved traction and an amazingly smooth ride.

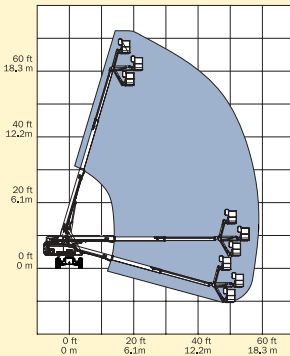
S-60/S-65™
S-60/S-65™



Standard Features

- S-60 has 66 ft (20.3 m) working height
- S-65 has 71 ft (21.9 m) working height
- S-60 has 50 ft 4 in (15.3 m) horizontal reach
- S-65 has 55 ft 3 in (16.8 m) horizontal reach
- Up to 500 lb (227 kg) lift capacity
- Full-time active Oscillating axle
- Tier II emission capable engine
- Dual fuel (Gas/LPG) or diesel engine options
- Hall effect joystick controllers
- Fully proportional joystick controls with ramp up/down feature
- Hydraulic platform rotation
- 360° continuous turntable rotation
- 12V DC auxiliary power
- Fuel select switch on platform and ground control panels (Gas/LPG models)
- Closed-loop hydrostatic drive
- Positive traction drive
- Drive enable system
- Self-leveling platform
- Low profile, low pressure tires
- Locking turntable covers
- Anti-restart engine protection
- Foot switch time out
- Auto engine fault shutdown
- AC wiring to platform
- Wire braided hose
- Tilt alarm
- Horn
- Hour meter

Range of Motion

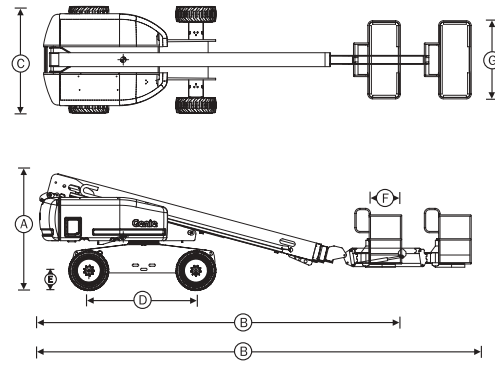


Options and Accessories

- Alarm package
- Cold start packages
- 2500 or 3000 watt AC generator
- Belt-driven generator
- 8 ft (2.44 m) steel platform
- 750 lb (340 kg) lift capacity option on the S-60
- Platform swing gate
- Air line to platform
- Platform rail pinch guard
- Platform work lights
- Lockable platform control box cover
- Second 12V battery
- Foam-filled, non-marking and floatation tire packages
- Tool tray
- Fluorescent tube caddy
- Hostile environment packages
- Hydraulic oil cooler
- LPG tank
- GS/LPS rating for GM engine powered machines
- Driving lights
- Pipe cradle
- Weld cables
- On-board weld package
- Diesel scrubber

Standards Compliance

- ANSI/SIA A92.5
- CE compliance option
- CSA CAN3-B354.4-M82
- AS 1418.10



Specifications

Model	S-60 US	Metric	S-65 US	Metric
Working height max*	66 ft 2 in	20.3 m	71 ft 4 in	21.9 m
Platform height max	60 ft 2 in	18.3 m	65 ft 4 in	19.9 m
(A) Height - stowed	8 ft 10 in	2.69 m	8 ft 10 in	2.69 m
(B) Length - stowed	27 ft 4 in	8.33 m	31 ft	9.45 m
(C) Width	8 ft 2 in	2.49 m	8 ft 2 in	2.49 m
(D) Wheelbase	9 ft	2.74 m	9 ft	2.74 m
(E) Ground clearance	12 in	30 cm	12 in	30 cm
(F) Platform length:				
6 ft	30 in	76 cm	30 in	76 cm
8 ft	36 in	91 cm	36 in	91 cm
(G) Platform width:				
6 ft	72 in	1.83 m	72 in	1.83 m
8 ft	96 in	2.44 m	96 in	2.44 m
Horizontal reach max	50 ft 4 in	15.3 m	55 ft 3 in	16.8 m
Maximum lift capacity 6 ft platform	500 lb	227 kg	500 lb	227 kg
Maximum lift capacity 8 ft platform	500 lb	227 kg	500 lb	227 kg
Turning radius - outside	18 ft 7 in	5.66 m	18 ft 7 in	5.66 m
Turning radius - inside	7 ft 10 in	2.39 m	7 ft 10 in	2.39 m
Turntable rotation	360° continuous		360° continuous	
Turntable tailswing	3 ft 11 in	1.19 m	3 ft 11 in	1.19 m
Power source	GM 3.0L 80 hp (59 kw), Dual Fuel Deutz Diesel F3L 2011F 49 hp (36 kw) Perkins Diesel 404-22 50 hp (37 kw)			
Controls	ALC 500		ALC 500	
Platform rotation	160°		160°	
Tires	15 - 19.5 NHS		15 - 19.5 NHS	
Hydraulic tank capacity	45 gal	170.3 litre	45 gal	170.3 litre
Fuel tank capacity	40 gal	151.4 litre	40 gal	151.4 litre
Weight**	21,000 lb	9,525 kg	22,200 lb	10,069 kg
Drive speed - stowed 2WD	4.4 mph	7.1 km/h	4.5 mph	7.2 km/h
Drive speed - stowed 4WD	3.7 mph	6.0 km/h	3.5 mph	5.6 km/h
Drive speed - extended (all models)	0.6 mph	1.0 km/h	0.6 mph	1.0 km/h
Gradeability*** - stowed				
	2WD 30%		30%	
	4WD 45%		45%	

* The metric equivalent of working height adds 2 m to platform height. U.S. adds 6 ft to platform height.

** Weight will vary depending on options and/or country standards.

*** (Gradeability is theoretical, traction-dependent)

Distributed By:

Genie Industries

GENIE UNITED STATES

18340 NE 76th Street
P. O. Box 97030
Redmond, Washington 98073-9730
Telephone (425) 881-1800
Toll Free in USA/Canada 800-536-1800
Fax (425) 883-3475
<http://www.genieindustries.com>

GENIE UNITED KINGDOM

The Maltings, Wharf Road
Grantham
Lincolnshire NG31 6BH
England
Telephone: +44 (0)1476 584333
Fax: +44 (0)1476 584334
<http://www.genieindustries.com>